

ATTENTION:
 ATC IS NOT RESPONSIBLE FOR CLEARANCE OF VEHICLE
 UNTIL CUSTOMER/DEALER COMPLETES VEHICLE CLEARANCE
 FORM AND IS VERIFIED BY ATC ENGINEERING DEPARTMENT.

**DIMENSIONS ARE NOMINAL. STRUCTURAL MEMBERS OFTEN DICTATE
 WHERE INTERIOR FEATURES CAN BE PLACED. CONSEQUENTLY, SOME
 DIMENSIONED ITEMS RETAIN A +/- 2" TOLERANCE. CRITICAL (BUBBLED)
 DIMENSIONS WILL RETAIN A TOLERANCE OF +/- 1/4".**

BOM TABLE				
ITEM NO	PART NO	FILE NAME	DESCRIPTION	QTY
1		AXLE, TORSION	6000# (93-78) 45DEG DOWN	2
2	23220	COUPLER, 15K	2 5/16" - 15,000# cap	1
3		JACK	2,000# SIDE WIND	1
4	14619	ROOF VENT	VENT - ROOF - MANUAL 14"	3
5		TIRES	235/80/16	4
6	41568	WHEEL WELL	8.5" x 9" x 80"	2

**ALL LOCATIONS ARE NOMINAL UNLESS CRITICAL
 DIMENSIONS ARE SPECIFICALLY NOTED**

PROPRIETARY AND CONFIDENTIAL:
 THE INFORMATION CONTAINED IN THIS DRAWING IS THE SOLE
 PROPERTY OF THE ALUMINUM TRAILER COMPANY. ANY
 REPRODUCTION IN PART OR AS A WHOLE WITHOUT THE WRITTEN
 PERMISSION OF THE ALUMINUM TRAILER COMPANY IS PROHIBITED.

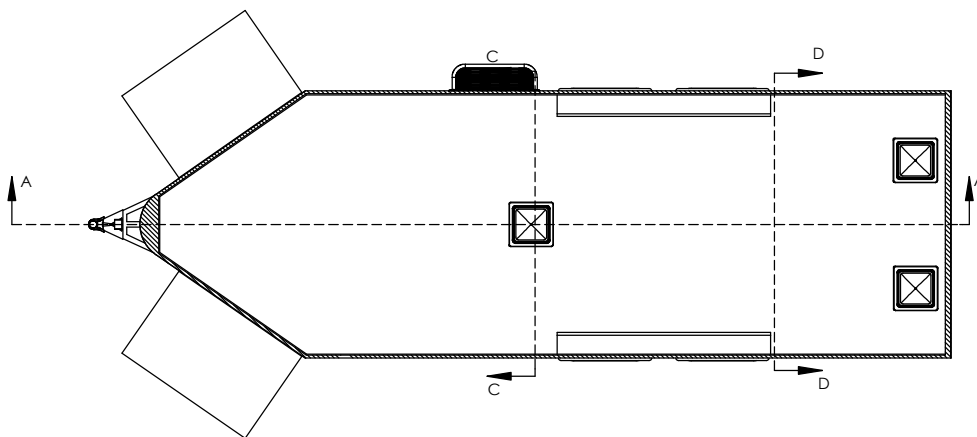
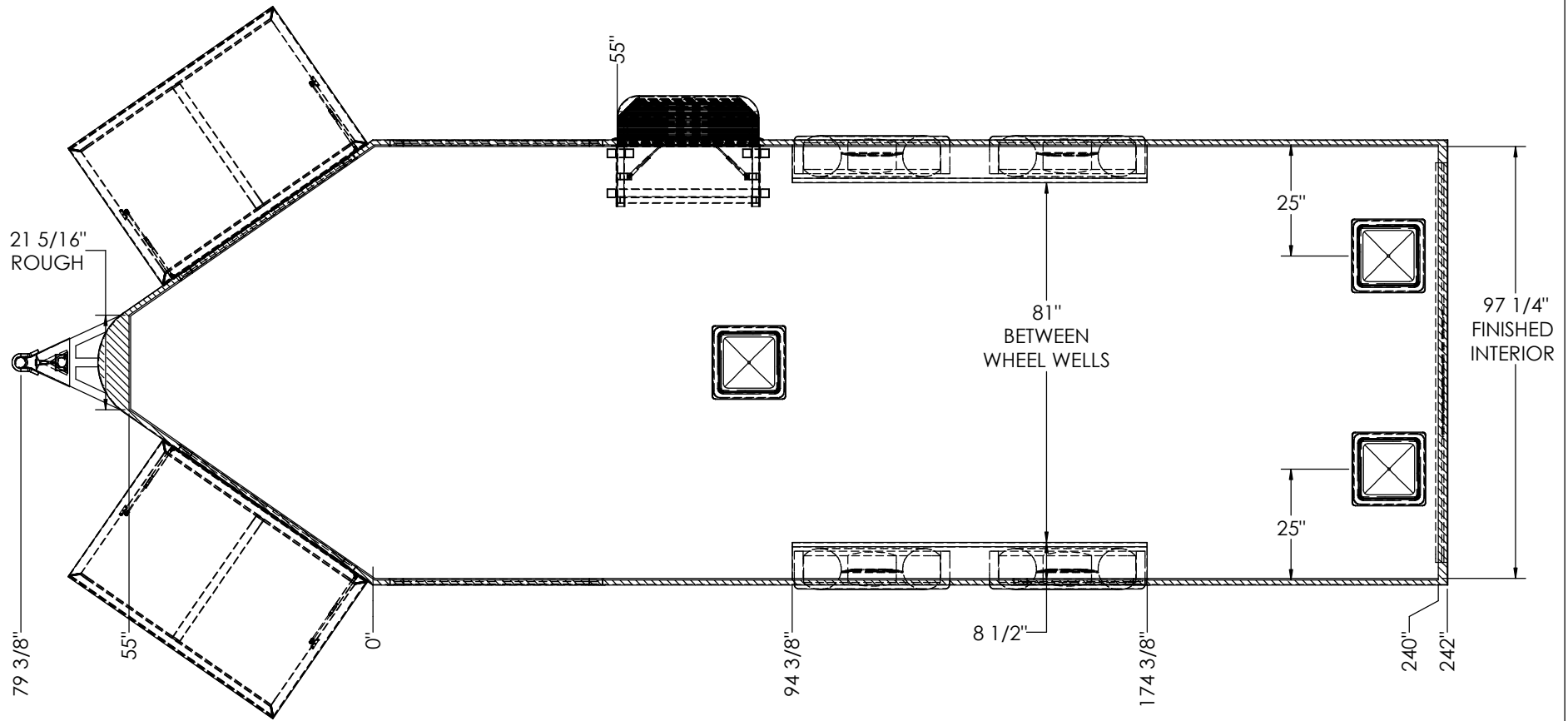


TITLE: 8520+4-2T ALUMINUM			
DRAWN BY: JAH	DATE: 10/20/16	VIN/PART # 206706	REV. A
FILE NAME: DW-BP 8520-Becker-Berding-206706			
SCALE:1:17	DATE PRINTED: 10/26/2016	SHEET 1 OF 6	

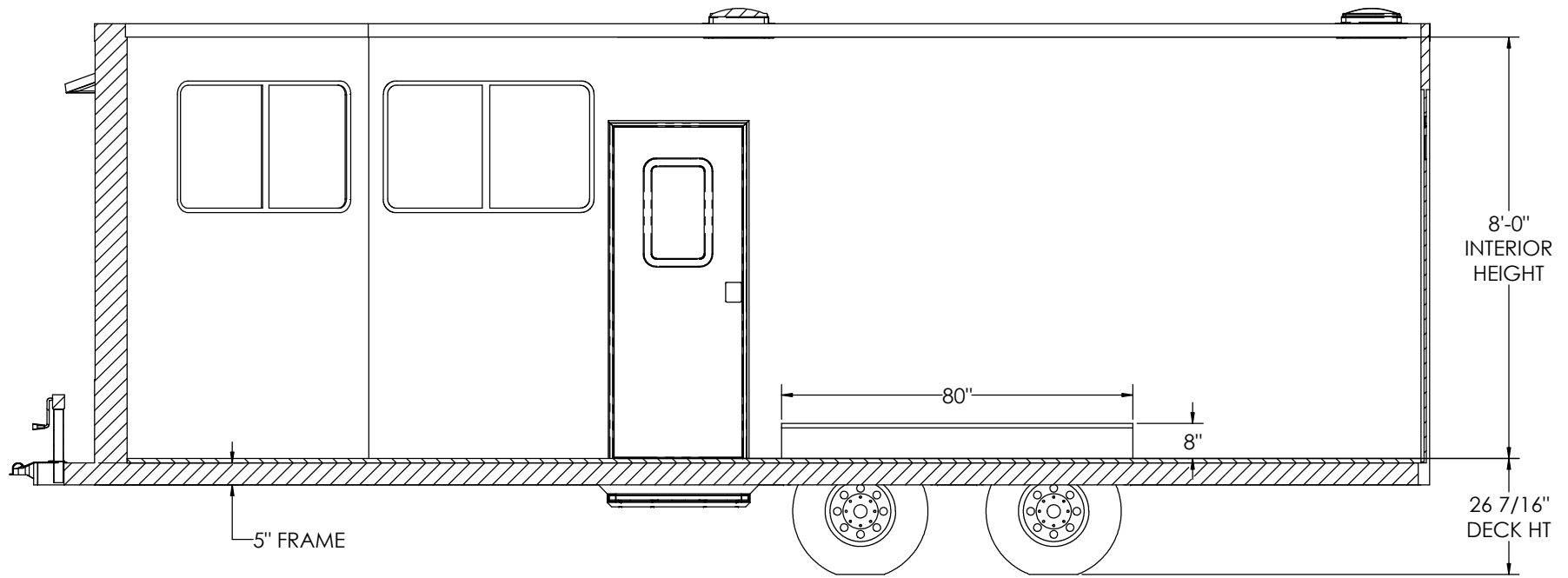
REVISION TABLE

REV.	DESCRIPTION	DATE	DONE BY
A	MOVED WINDOWS , VENT , CHANGED WINDOW COVER	10/26/2016	JAH

DWG PATH: M:\Master Records\206 VINS\206706 - Becker - Berding\Engineering\



TITLE: 8520+4-2T ALUMINUM			
DRAWN BY: JAH	DATE: 10/20/16	VIN/PART # 206706	REV. A
FILE NAME: DW-BP 8520-Becker-Berding-206706			
SCALE: 1:18	DATE PRINTED: 10/26/2016	SHEET 2 OF 6	



5" FRAME

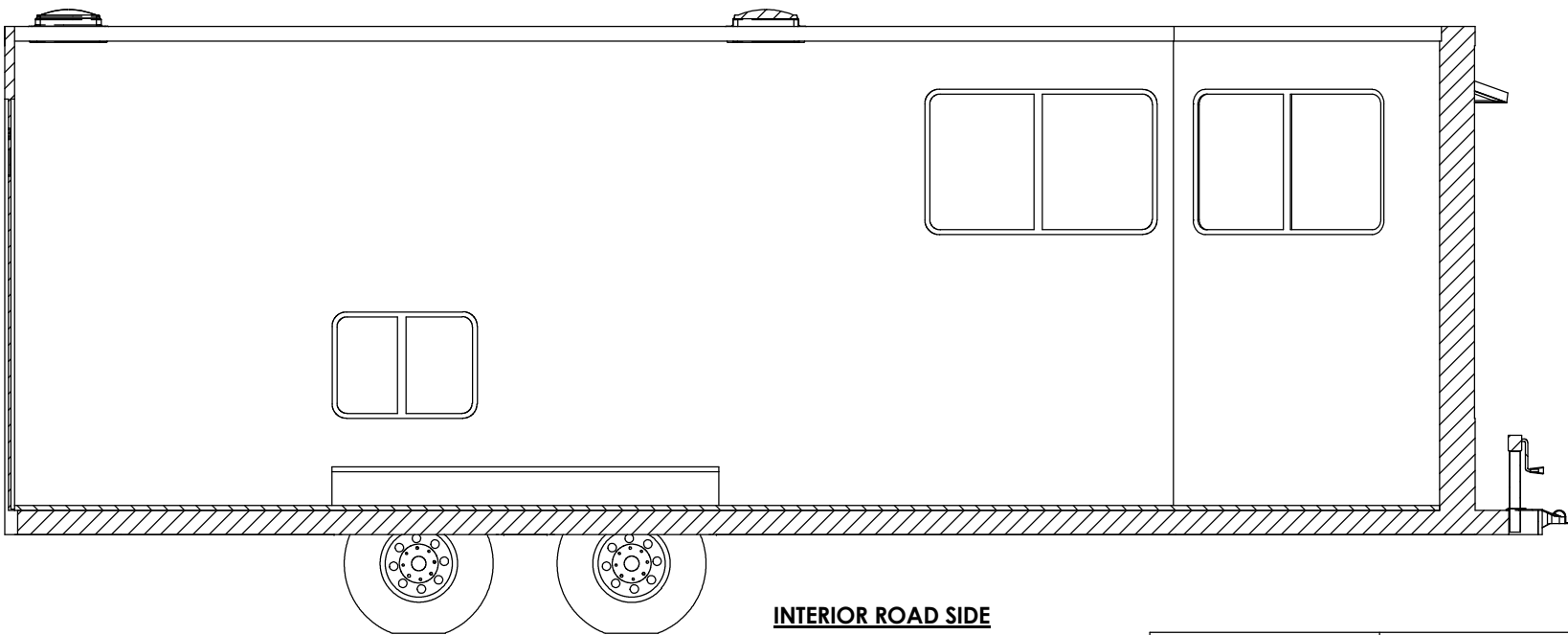
80"

8"

8'-0"
INTERIOR
HEIGHT

26 7/16"
DECK HT

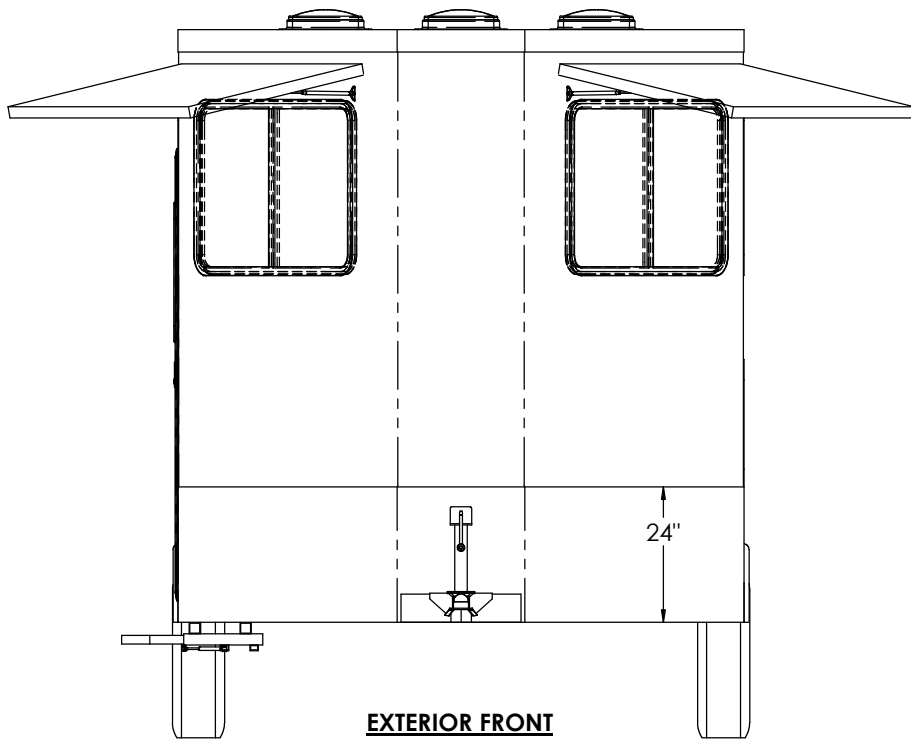
INTERIOR CURB SIDE



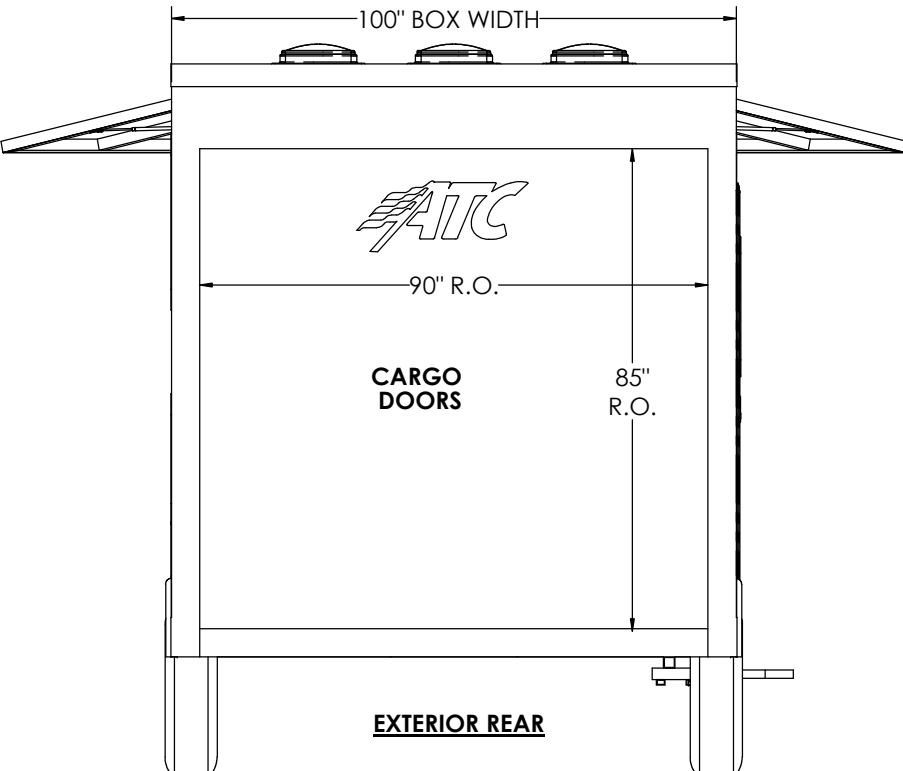
INTERIOR ROAD SIDE



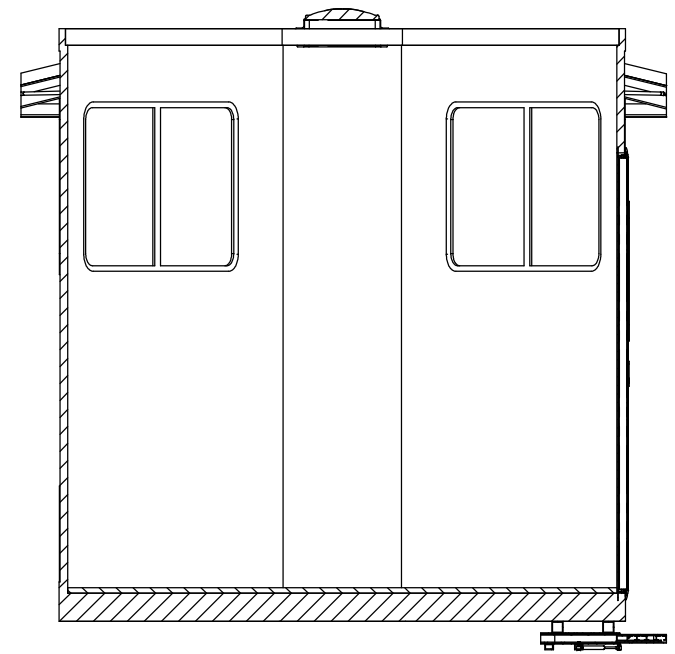
TITLE: 8520+4-2T ALUMINUM			
DRAWN BY: JAH	DATE: 10/20/16	VIN/PART # 206706	REV. A
FILE NAME: DW-BP 8520-Becker-Berding-206706			
SCALE:1:19	DATE PRINTED: 10/26/2016	SHEET 3 OF 6	



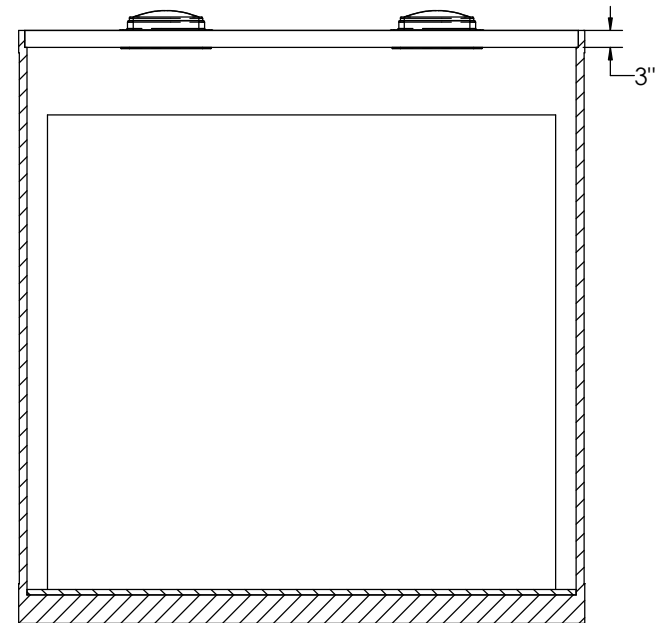
EXTERIOR FRONT



EXTERIOR REAR



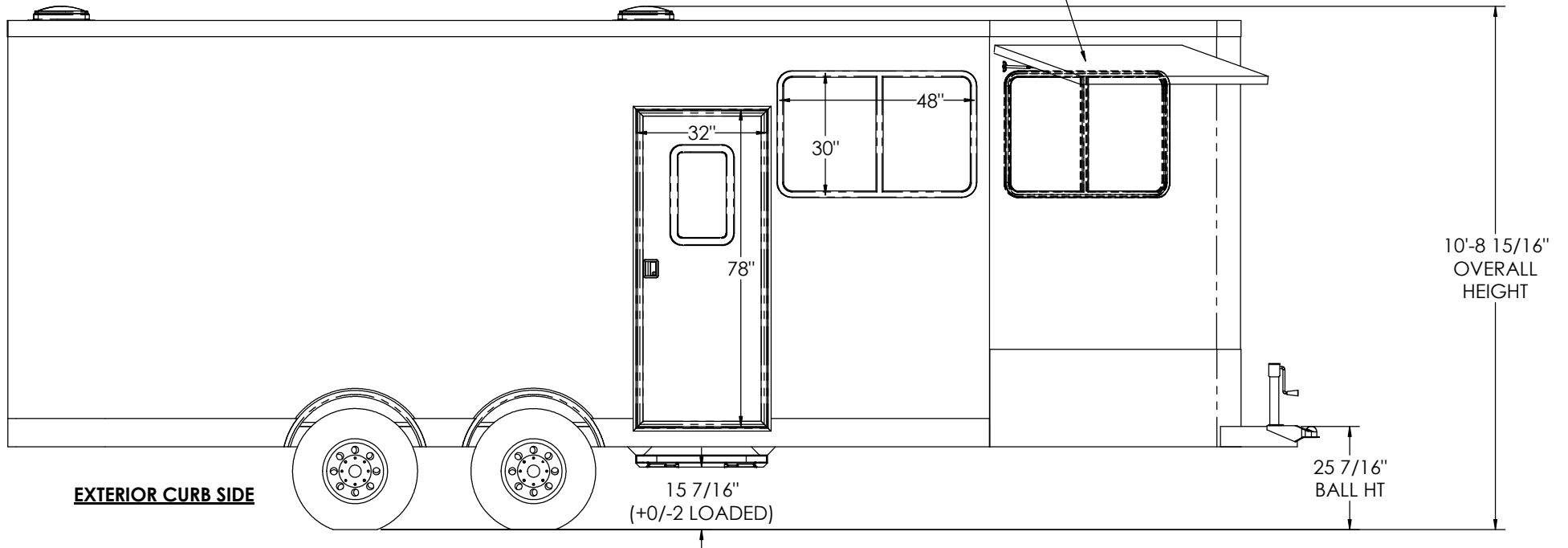
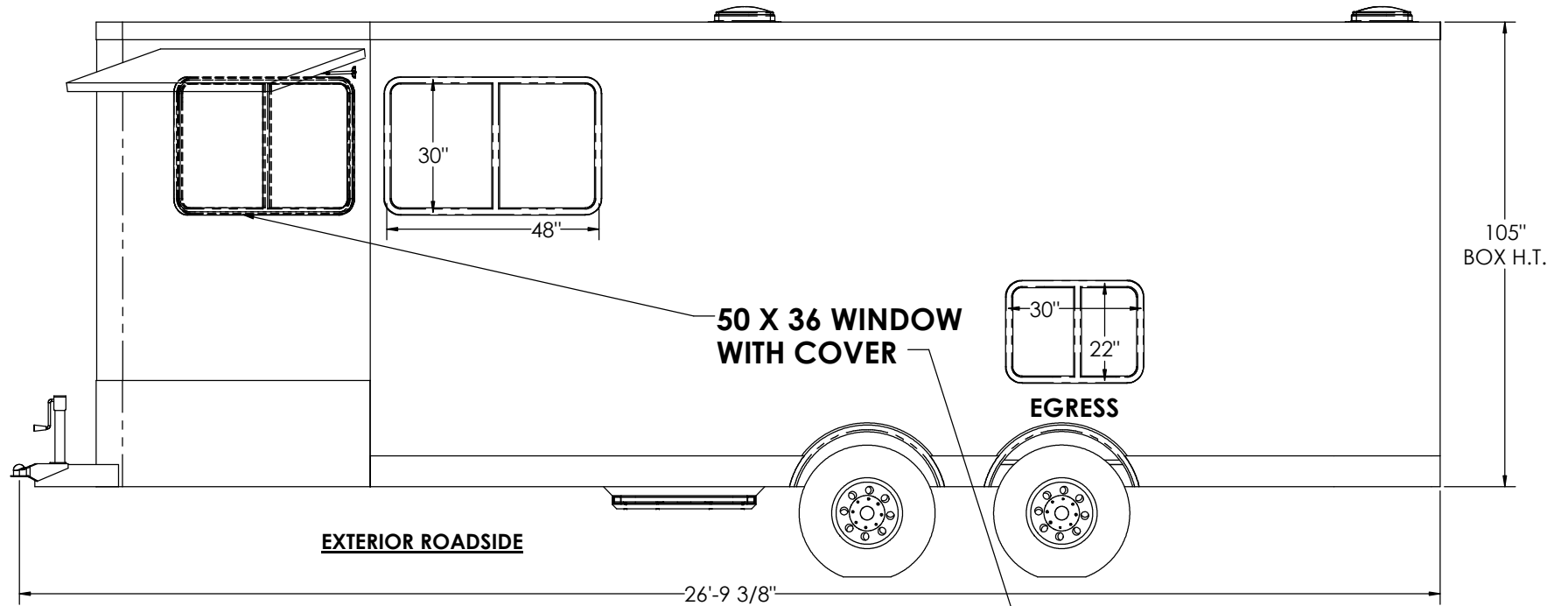
INTERIOR FRONT




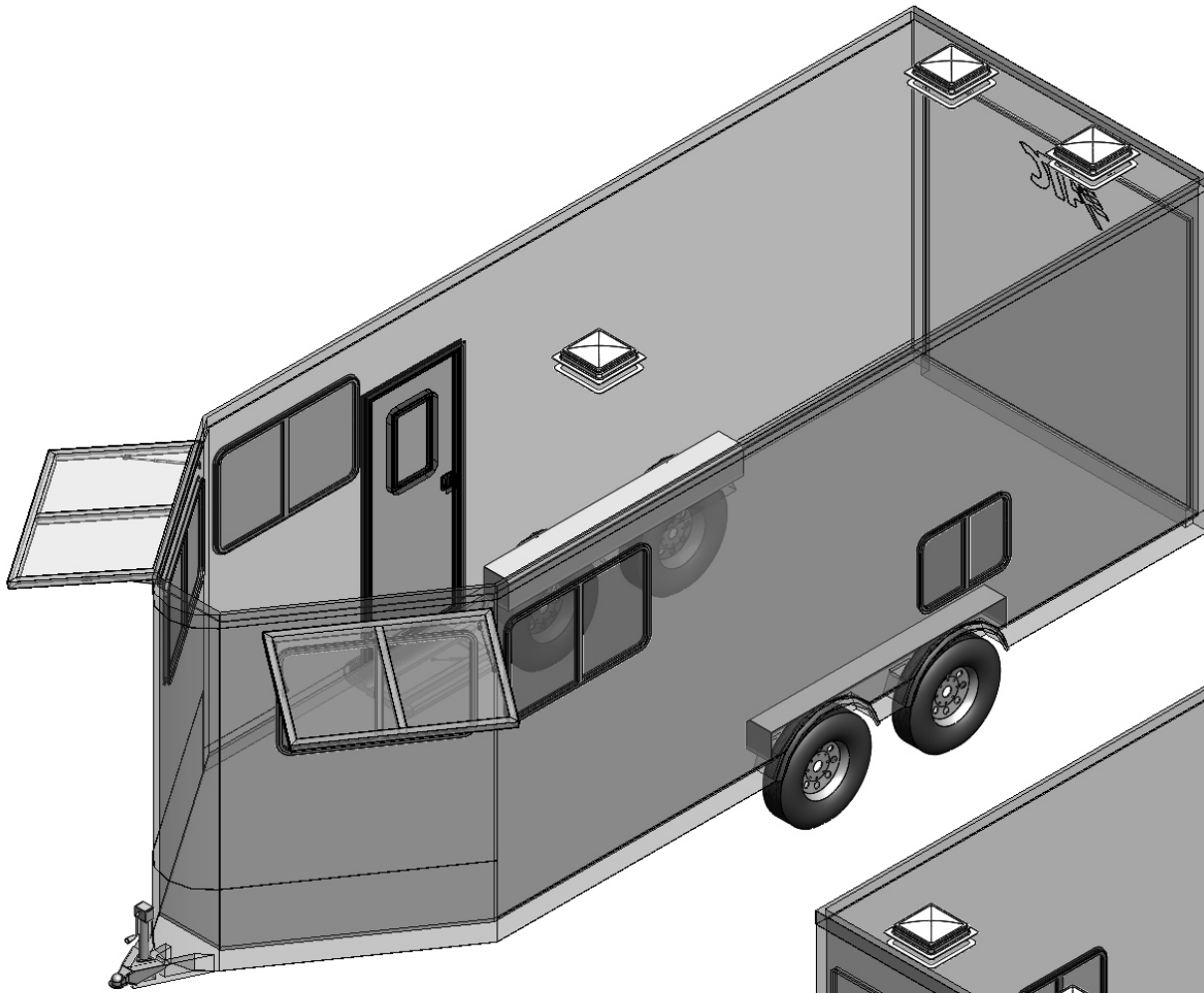
INTERIOR REAR



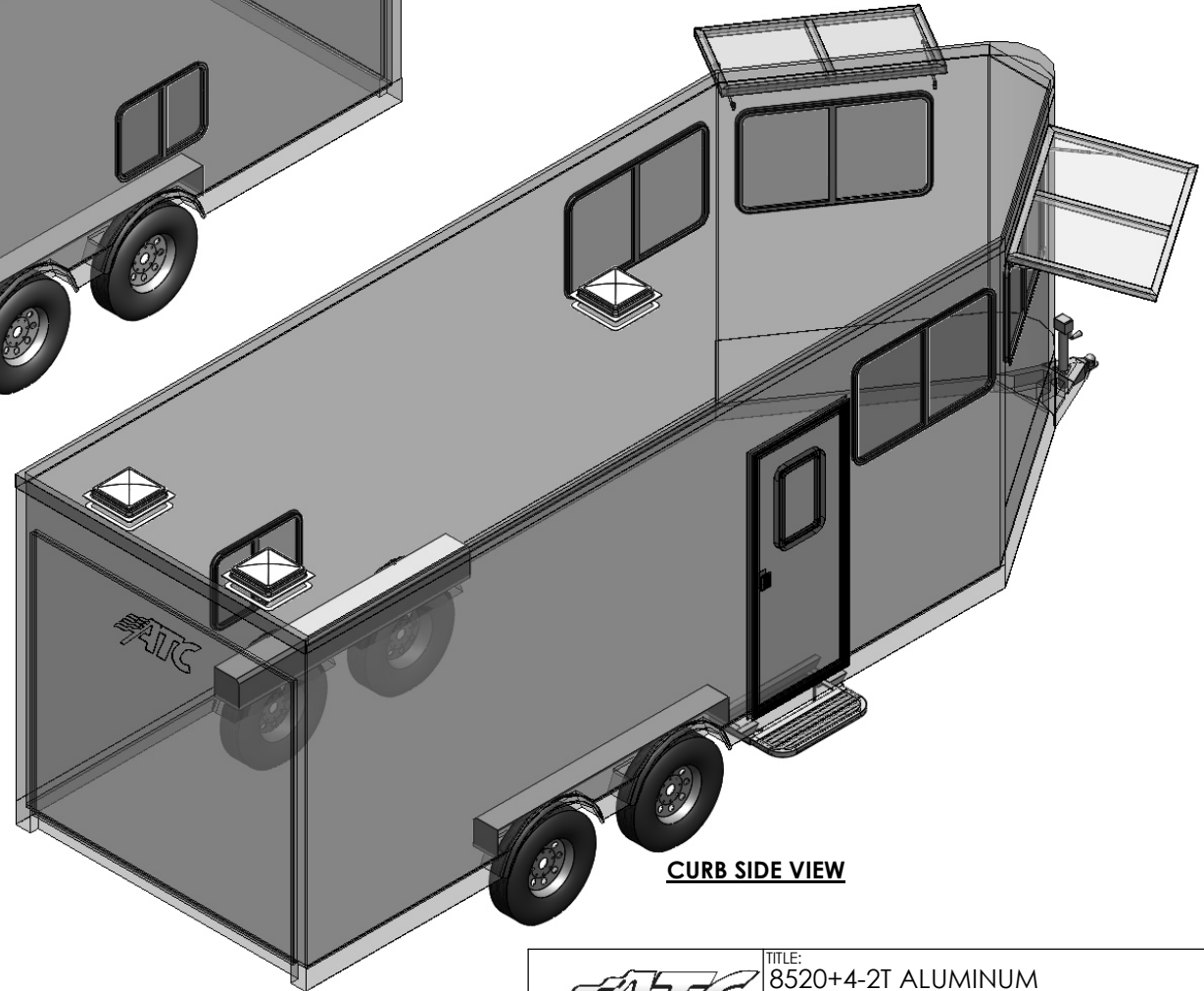
TITLE: 8520+4-2T ALUMINUM			
DRAWN BY: JAH	DATE: 10/20/16	VIN/PART # 206706	REV. A
FILE NAME: DW-BP 8520-Becker-Berding-206706			
SCALE: 1:17	DATE PRINTED: 10/26/2016	SHEET 4 OF 6	



				TITLE: 8520+4-2T ALUMINUM	
				DRAWN BY: JAH	DATE: 10/20/16
FILE NAME: DW-BP 8520-Becker-Berding-206706					
SCALE: 1:19		DATE PRINTED: 10/26/2016		SHEET 5 OF 6	



ROAD SIDE VIEW



CURB SIDE VIEW



TITLE: 8520+4-2T ALUMINUM			
DRAWN BY: JAH	DATE: 10/20/16	VIN/PART # 206706	REV. A
FILE NAME: DW-BP 8520-Becker-Berding-206706			
SCALE:1:23	DATE PRINTED: 10/26/2016	SHEET 6 OF 6	